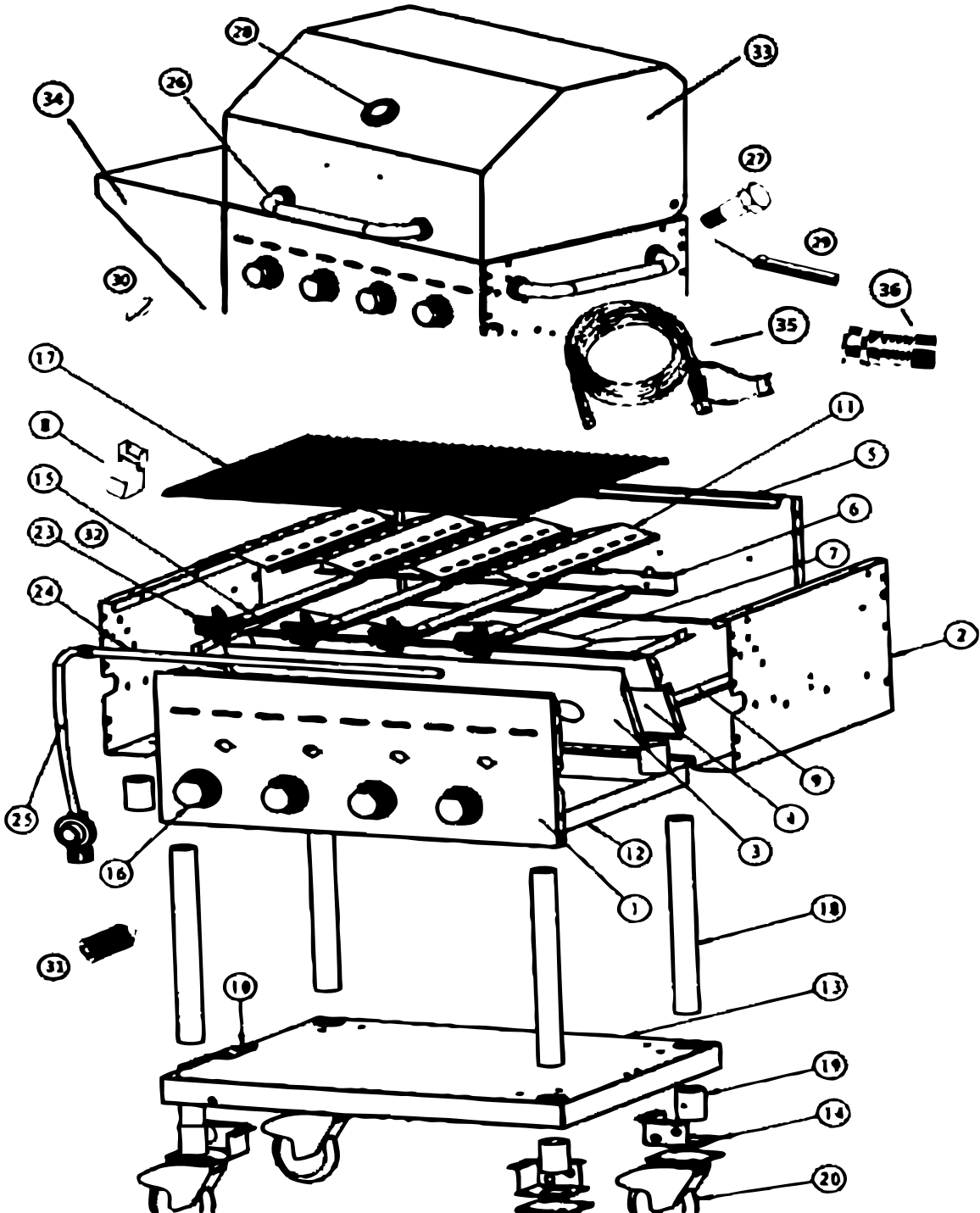


# Parts Breakdown

Model CE-CN-0048-S LP 47841



# Parts Breakdown

## Model CE-CN-0048-S LP 47841

Item No.	Description	Position	Item No.	Description	Position	Item No.	Description	Position
AN700	Front Panel 48" for 47841	1	AN706	Tray 48" for 47841	12	AI615	Connector Hose and LP Regulator for 47841	25
AN687	Left and Right Side Plate for 47841	2	AN707	Shelf 48" for 47841	13	AI616	Handle for 47841	26
AN701	Front Interior Plate 48" for 47841	3	AN699	Caster Bracket for 47841	14	AI617	Step Bolt for 47841	27
AN702	Front Fender Plate 48" for 47841	4	AI606	Burner for 47841	15	AI618	Thermometer for 47841	28
AN703	Back Plate 48" for 47841	5	AI607	Knob for 47841	16	AI619	Cotter Pin for 47841	29
AN704	Burner Support Bracket 48" for 47841	6	AN683	Rack 14 7/8" for 47841	17	AI620	Rubber Pad for 47841	30
AN705	Bottom Interior Plate 48" for 47841	7	AI609	Tube for 47841	18	AI621	Lock Screw for 47841	31
AN693	Cylinder Hanger for 47841	8	AI610	Sleeve for 47841	19	AI622	Orifice 56 for LP for 47841	32
AN694	Side Bracket for 47841	9	AI611	4" Caster for 47841	20	AN685	Roll Dome 48" for 47841	33
AN695	Cylinder Support Bracket for 47841	10	AI612	Gas Valve for 47841	23	AI624	Side Shelf for 47841	34
AN696	Radiator Plate for 47841	11	AN684	Gas Pipe Left Inlet 48" for 47841	24			